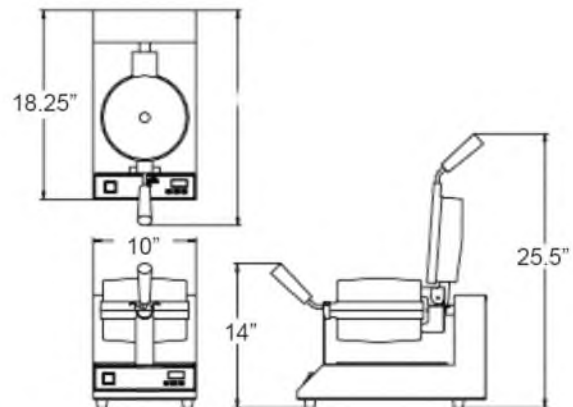




TDX WM-3 WAFFLE MAKER

TDX Belgian Waffle Maker is perfect for breakfast spots, diners and any other establishments that wants to add hot and fluffy Belgian waffles to their menu. Cook up to twenty 1.25" thick waffles per hour with this round 7" Single Belgian Waffle Iron. Constructed with a stainless steel body for durability and easy cleaning. Heavy cast aluminum non-stick coated plates for easy and safe product release. 180 degree rotating hinge for even better distribution. Easy to set digital timer and temperature controls make using simple enough for everybody. A removable stainless steel drip pan is included for easy cleaning.

- * POWER: 1.30 KW
- * PHYSICAL DIMENSION: 25.4 cm x 45 cm x 36 cm.
- * VOLTAGE: 220V 50Hz
- * CAPACITY: 20 PC/h
- * N.W./G.W.: 11 KG/ 13 KG
- * CE/ROHS
- * WAFFLE THICKNESS 1.25" or 3.2 cm
- * ROTATION PLATE 180 degree



CE ISO 9001



TRENDMAX
Conscripto Bernardi 2046
San Martin, Bs. As.

TEL. (11) 4752-2047
trendmaxgroup@gmail.com
www.trendmax.com.ar